

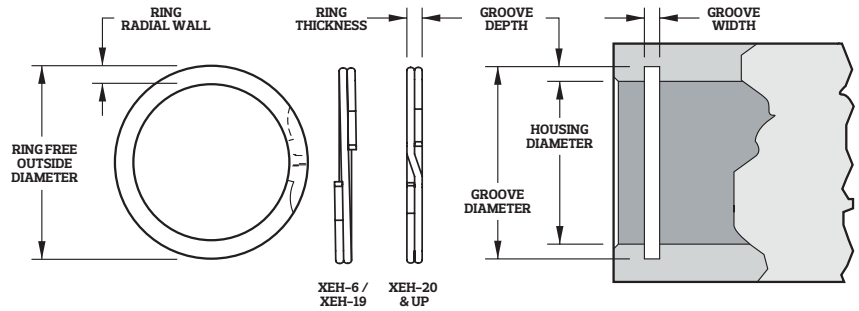
# Aerospace Rings (Metric)

## XEH Series

### Stock items available in:

- Carbon steel
- 302 and 316 stainless steel

MA 4017<sup>4</sup>



\* No Removal Notch

Part No. <sup>1</sup>	Housing Diameter	Ring				Groove		Thrust Capacity	
		Outside Diameter	Radial Wall	Thickness	Diameter	Width	Groove Yield (N) <sup>2</sup>	Ring Shear (N) <sup>3</sup>	
XEH-6*	6,00	6,35	0,33 - 0,53	0,38	6,30	0,51	440	1880	
XEH-7*	7,00	7,37	0,33 - 0,53	0,38	7,32	0,51	550	2190	
XEH-8*	8,00	8,51	0,51 - 0,71	0,38	8,43	0,51	840	2500	
XEH-9*	9,00	9,60	0,64 - 0,84	0,64	9,50	0,74	1100	4740	
XEH-10*	10,00	10,62	0,64 - 0,84	0,64	10,52	0,74	1270	5270	
XEH-11	11,00	11,79	0,76 - 0,96	0,64	11,71	0,74	1900	5790	
XEH-12	12,00	12,89	1,02 - 1,22	0,60	12,70	0,70	2050	7950	
XEH-13	13,00	13,95	1,02 - 1,22	0,89	13,75	1,00	2410	12110	
XEH-14	14,00	15,07	1,27 - 1,47	0,89	14,85	1,00	2930	13040	
XEH-15	15,00	16,14	1,27 - 1,47	0,89	15,90	1,00	3290	13970	
XEH-16	16,00	17,15	1,27 - 1,47	0,89	16,95	1,00	3740	14900	
XEH-17	17,00	18,32	1,52 - 1,73	0,89	18,05	1,00	4390	15830	
XEH-18	18,00	19,39	1,52 - 1,73	0,89	19,10	1,00	4820	16760	
XEH-19	19,00	20,48	1,52 - 1,73	0,89	20,17	1,00	5460	17690	
XEH-20	20,00	21,51	1,78 - 1,98	0,89	21,22	1,00	5940	18620	
XEH-21	21,00	22,56	1,78 - 1,98	0,89	22,27	1,00	6550	19550	
XEH-22	22,00	23,65	1,78 - 1,98	1,07	23,37	1,20	7390	24630	
XEH-23	23,00	24,69	2,03 - 2,24	1,07	24,42	1,20	7950	25750	
XEH-24	24,00	25,73	2,03 - 2,24	1,07	25,47	1,20	8650	26870	
XEH-25	25,00	27,03	2,03 - 2,24	1,07	26,67	1,20	10230	27990	
XEH-26	26,00	28,07	2,03 - 2,24	1,07	27,77	1,20	11270	29110	
XEH-27	27,00	29,11	2,49 - 2,69	1,27	28,87	1,40	12360	31170	
XEH-28	28,00	30,10	2,49 - 2,69	1,27	29,87	1,40	12820	32330	
XEH-29	29,00	31,21	2,49 - 2,69	1,27	30,95	1,40	13840	33480	
XEH-30	30,00	32,28	2,49 - 2,69	1,27	32,00	1,40	14610	34640	
XEH-31	31,00	33,32	2,49 - 2,69	1,27	33,05	1,40	15550	35790	
XEH-32	32,00	34,23	2,49 - 2,69	1,27	34,00	1,40	15880	36950	
XEH-34	34,00	36,46	2,87 - 3,07	1,27	36,20	1,40	18210	39260	
XEH-35	35,00	37,55	2,87 - 3,07	1,27	37,30	1,40	19600	40410	
XEH-36	36,00	38,68	2,87 - 3,07	1,27	38,40	1,40	21040	41560	
XEH-37	37,00	39,60	2,87 - 3,07	1,27	39,40	1,40	21620	42720	
XEH-38	38,00	40,77	2,87 - 3,07	1,27	40,50	1,40	23130	43870	
XEH-40	40,00	42,91	3,12 - 3,33	1,57	42,50	1,75	24350	57090	
XEH-42	42,00	45,01	3,12 - 3,33	1,57	44,60	1,75	26590	59950	
XEH-45	45,00	48,13	3,12 - 3,33	1,57	47,70	1,75	29590	64230	
XEH-46	46,00	49,28	3,12 - 3,33	1,57	48,80	1,75	31370	65660	
XEH-47	47,00	50,32	3,89 - 4,09	1,57	49,90	1,75	33190	67080	
XEH-48	48,00	51,46	3,89 - 4,09	1,57	51,00	1,75	35070	68510	
XEH-50	50,00	53,66	3,89 - 4,09	1,57	53,20	1,75	38960	71370	
XEH-52	52,00	54,30	3,12 - 3,33	1,25	53,79	1,42	22790	59090	
XEH-53	53,00	55,32	3,12 - 3,33	1,25	54,79	1,42	23230	60230	
XEH-55	55,00	57,38	3,38 - 3,58	1,25	56,85	1,42	24910	62500	
XEH-56	56,00	58,40	3,38 - 3,58	1,25	57,85	1,42	25360	63640	
XEH-58	58,00	60,43	3,38 - 3,58	1,25	59,85	1,42	26270	65910	
XEH-59	59,00	61,54	3,38 - 3,58	1,25	60,93	1,42	27870	67050	
XEH-60	60,00	62,57	3,38 - 3,58	1,25	61,99	1,42	29220	68180	

<sup>1</sup> Add suffix "-S02" for 302 stainless steel, "-S16" for 316 stainless steel. <sup>2</sup> Based on a groove material yield strength of 310 N/mm<sup>2</sup> and a safety factor of 2.

<sup>3</sup> Based on a safety factor of 3. <sup>4</sup> Contact TFC for details/information on how to order parts to be in compliance with this specification.

# Aerospace Rings (Metric)

## XEH Series

Metric (mm)	Part No. <sup>1</sup>	Housing Diameter	Ring			Groove			Thrust Capacity	
			Outside Diameter	Radial Wall	Thickness	Diameter	Width	Groove Yield (N) <sup>2</sup>	Ring Shear (N) <sup>3</sup>	
	XEH-61	61,00	63,65	3,63 - 3,84	1,25	63,09	1,42	31190	69320	
	XEH-62	62,00	64,70	3,63 - 3,84	1,25	64,09	1,42	31700	70460	
	XEH-63	63,00	65,70	3,63 - 3,84	1,25	65,09	1,42	32220	71590	
	XEH-64	64,00	66,77	3,63 - 3,84	1,25	66,19	1,42	34290	72730	
	XEH-65	65,00	67,82	3,63 - 3,84	1,25	67,19	1,42	34820	73870	
	XEH-66	66,00	68,80	3,63 - 3,84	1,25	68,19	1,42	35360	75000	
	XEH-67	67,00	69,90	3,63 - 3,84	1,25	69,25	1,42	36870	76140	
	XEH-68	68,00	70,94	3,89 - 4,09	1,25	70,29	1,42	38090	77270	
	XEH-69	69,00	71,94	3,89 - 4,09	1,25	71,29	1,42	38650	78410	
	XEH-70	70,00	72,94	3,89 - 4,09	1,25	72,29	1,42	39210	79550	
	XEH-71	71,00	73,99	3,89 - 4,09	1,25	73,29	1,42	39770	80680	
	XEH-72	72,00	75,04	4,11 - 4,39	1,25	74,39	1,42	40910	81510	
	XEH-75	75,00	78,07	4,11 - 4,39	1,25	77,39	1,42	43830	85230	
	XEH-78	78,00	81,21	4,11 - 4,39	1,55	80,45	1,73	46730	109910	
	XEH-80	80,00	83,22	4,37 - 4,62	1,55	82,49	1,73	48700	112730	
	XEH-82	82,00	85,28	4,37 - 4,62	1,55	84,55	1,73	51120	115550	
	XEH-85	85,00	88,38	4,62 - 4,88	1,55	87,65	1,73	55060	119780	
	XEH-88	88,00	91,45	4,62 - 4,88	1,55	90,69	1,73	57860	124000	
	XEH-90	90,00	93,58	4,88 - 5,13	1,55	92,79	1,73	61370	126820	
	XEH-92	92,00	95,66	4,88 - 5,13	1,55	94,85	1,73	64070	129640	
	XEH-95	95,00	98,69	4,88 - 5,13	1,55	97,85	1,73	66160	133870	
	XEH-98	98,00	101,83	5,13 - 5,38	1,55	100,99	1,73	71590	138090	
	XEH-100	100,00	103,83	5,13 - 5,38	1,55	102,99	1,73	73050	140910	
	XEH-102	102,00	106,00	5,38 - 5,64	1,55	105,15	1,73	78490	143730	
	XEH-105	105,00	109,00	5,38 - 5,64	1,55	108,15	1,73	80800	147960	
	XEH-108	108,00	112,22	5,64 - 5,89	1,55	111,31	1,73	87310	152190	
	XEH-110	110,00	114,25	5,64 - 5,89	1,55	113,31	1,73	62140	155000	
	XEH-112	112,00	116,44	5,89 - 6,15	1,55	115,45	1,73	94370	157820	
	XEH-115	115,00	119,44	5,89 - 6,15	1,55	118,45	1,73	96890	162050	
	XEH-120	120,00	124,54	6,20 - 6,45	1,83	123,55	2,00	104030	199640	
	XEH-125	125,00	129,59	6,20 - 6,45	1,83	128,55	2,00	108360	207960	
	XEH-130	130,00	134,71	6,20 - 6,45	1,83	133,65	2,00	115860	216280	
	XEH-135	135,00	139,74	6,20 - 6,45	1,83	138,62	2,00	119000	224600	
	XEH-140	140,00	144,87	6,20 - 6,45	1,83	143,72	2,00	126820	232920	
	XEH-145	145,00	150,04	6,20 - 6,45	1,83	148,82	2,00	134880	241230	
	XEH-150	150,00	155,07	6,20 - 6,45	1,83	153,82	2,00	139530	249550	
	XEH-155	155,00	160,72	7,72 - 8,03	2,18	159,40	2,40	166080	307190	
	XEH-160	160,00	165,74	7,72 - 8,03	2,18	164,40	2,40	171433	317100	
	XEH-165	165,00	170,77	7,72 - 8,03	2,18	169,40	2,40	176790	327010	
	XEH-170	170,00	176,05	7,72 - 8,03	2,18	174,60	2,40	190430	336920	
	XEH-175	175,00	181,05	7,72 - 8,03	2,18	179,60	2,40	196030	346830	
	XEH-180	180,00	186,38	7,72 - 8,03	2,18	184,88	2,40	213900	356740	
	XEH-185	185,00	191,10	7,72 - 8,03	2,18	189,88	2,40	219840	366650	
	XEH-190	190,00	196,45	7,72 - 8,03	2,18	194,88	2,40	225790	376560	
	XEH-195	195,00	201,74	7,72 - 8,03	2,18	200,14	2,40	244070	386460	
	XEH-200	200,00	206,76	7,72 - 8,03	2,18	205,14	2,40	250330	396370	
	XEH-210	210,00	217,10	9,32 - 9,63	2,18	215,40	2,40	276140	416490	
	XEH-220	220,00	227,40	9,32 - 9,63	2,18	225,64	2,40	257150	436010	
	XEH-230	230,00	237,73	9,32 - 9,63	2,18	235,90	2,40	330450	455830	
	XEH-240	240,00	247,80	9,32 - 9,63	2,18	245,90	2,40	344810	475650	
	XEH-250	250,00	258,10	9,32 - 9,63	2,18	256,16	2,40	375010	495470	
	XEH-260	260,00	268,43	9,32 - 9,63	2,18	266,40	2,40	405210	515290	
	XEH-270	270,00	278,50	9,32 - 9,63	2,18	276,40	2,40	420790	535100	
	XEH-280	280,00	288,82	9,32 - 9,63	2,18	286,66	2,40	454100	554920	

<sup>1</sup> Add suffix "-S02" for 302 stainless steel, "-S16" for 316 stainless steel. <sup>2</sup> Based on a groove material yield strength of 310 N/mm<sup>2</sup> and a safety factor of 2.

<sup>3</sup> Based on a safety factor of 3. <sup>4</sup> Contact TFC for details/information on how to order parts to be in compliance with this specification.